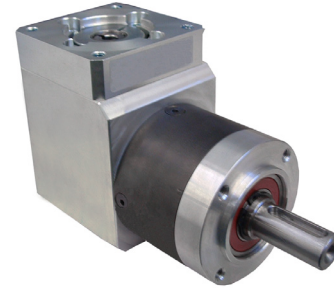


GBPNR-060x-CS Series



FEATURES

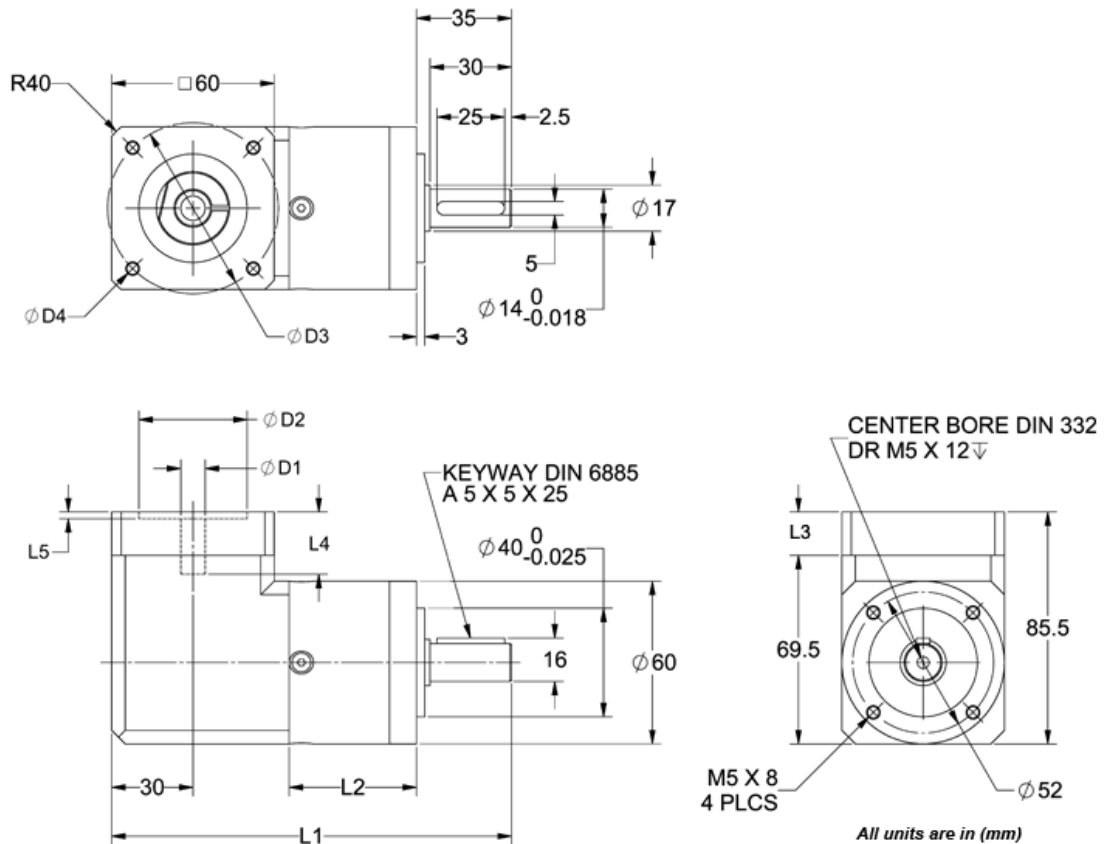
- Gear Ratios From 3 to 512
- Backlash Lower Than 28 arc-min
- Available in 1, 2 and 3 Stage Models
- Lifetime Lubrication
- High Durability



DESCRIPTION

The GBPNR-060x-CS Series right angle planetary gearbox offers you the precision you need at the prices you want! This right angle planetary gearbox is designed with very low backlash for motion control, automation, and robotic applications requiring precise position requirements. This right angle planetary gearbox will match your servo or stepping motor. It comes in 22 different gear ratios. Built with the design goal of offering a cost-effective product without sacrificing quality, you will find that this right angle planetary gearbox offers you an extraordinary value.

DIMENSIONS



ITEM	DESCRIPTION	MOTOR INTERFACE			
		AA231-250	BLK24-551	EMJ60-551	SMH60-551
D1	Input Shaft Diameter	6.35	14	14	14
L4	Max Shaft Length	23.5	30.5	30.5	30.5
L3	Motor Mount Length	16	23	23	23
D2	Pilot Diameter	38.1	50	50	50
L5	Pilot Depth	3.3	3.5	3.5	3.5
D3	Mounting Bolt Hole Circle	66.7	70	70	70
D4	Bolt Hole Size	M5X12	M5X12	M5X12	M5X12

L010521

Model #	Gear Ratio	Nominal Rated Torque (oz-in)	Max Torque (oz-in)	Stages	Backlash Maximum (arcmin)	L1 Length (mm)	L2 Length (mm)	Weight (lbs)
GBPNR-0601-CS-003-xxxx-yyy	3	1984	3120	1	<16	148	47	3.75
GBPNR-0601-CS-004-xxxx-yyy	4	2688	4240	1	<16	148	47	3.75
GBPNR-0601-CS-005-xxxx-yyy	5	3392	5376	1	<16	148	47	3.75
GBPNR-0601-CS-008-xxxx-yyy	8	2560	4096	1	<16	148	47	3.75
GBPNR-0602-CS-009-xxxx-yyy	9	6224	9904	2	<18	160	59	4.2
GBPNR-0602-CS-012-xxxx-yyy	12	6224	9904	2	<18	160	59	4.2
GBPNR-0602-CS-015-xxxx-yyy	15	6224	9904	2	<18	160	59	4.2
GBPNR-0602-CS-016-xxxx-yyy	16	6224	9904	2	<18	160	59	4.2
GBPNR-0602-CS-020-xxxx-yyy	20	6224	9904	2	<18	160	59	4.2
GBPNR-0602-CS-025-xxxx-yyy	25	5664	9056	2	<18	160	59	4.2
GBPNR-0602-CS-032-xxxx-yyy	32	6224	9904	2	<18	160	59	4.2
GBPNR-0602-CS-040-xxxx-yyy	40	5664	9056	2	<18	160	59	4.2
GBPNR-0602-CS-064-xxxx-yyy	64	2544	4096	2	<18	160	59	4.2
GBPNR-0603-CS-060-xxxx-yyy	60	6224	9904	3	<21	173	72	4.6
GBPNR-0603-CS-080-xxxx-yyy	80	6224	9904	3	<21	173	72	4.6
GBPNR-0603-CS-100-xxxx-yyy	100	6224	9904	3	<21	173	72	4.6
GBPNR-0603-CS-120-xxxx-yyy	120	6224	9904	3	<21	173	72	4.6
GBPNR-0603-CS-160-xxxx-yyy	160	6224	9904	3	<21	173	72	4.6
GBPNR-0603-CS-200-xxxx-yyy	200	5664	9056	3	<21	173	72	4.6
GBPNR-0603-CS-256-xxxx-yyy	256	6224	9904	3	<21	173	72	4.6
GBPNR-0603-CS-320-xxxx-yyy	320	5664	9056	3	<21	173	72	4.6
GBPNR-0603-CS-512-xxxx-yyy	512	2544	4096	3	<21	173	72	4.6

Part numbers are based on the specifications of the motor being matched to the gearbox.

-xxxxx denotes motor pilot, -yyy denotes input shaft diameter.

For more information contact an Anaheim Automation Applications Engineer for assistance.

Radial Load:	112 lbs - Force	Axial Load:	134 lbs - Force
Operating Temperature:	-25° C - 90° C	Noise Level:	70 dB
Maximum Input Speed:	13,000 RPM	Design Life:	20,000 hours
Efficiency:	88% - 94%	IP Rating:	IP 54 / 55